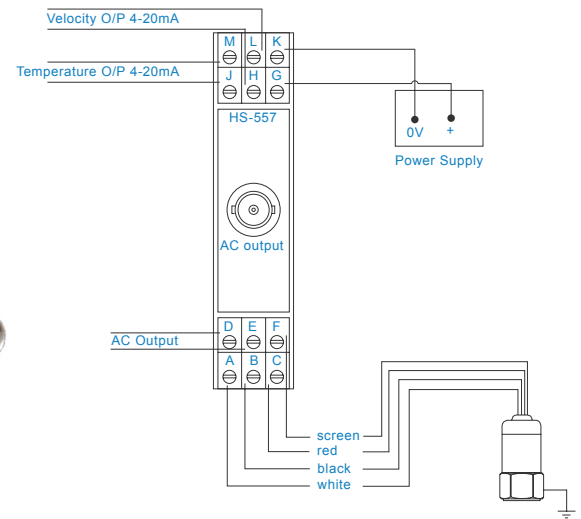


HS-557 Vibration Module

Dual output 4-20mA output

Key Features

- Industrial Accelerometer input
- 4-20mA Velocity or 'g' output
- Low pass filter
- Din Rail Mounted
- Buffered Accelerometer output (for data collection) via BNC and screw terminals
- Temperature Input
- 4-20mA Temperature Output



Technical Performance

Input 1	Temperature Sensor PT100 or 10 mV/°C
Acceleration Range	Up to 0-50 'g' - to be specified
or	Up to 200 mm/s - to be specified
Velocity Range	2 Hz to 10 kHz (-3 dB) - ISO 10816
Frequency Range	Velocity version: 10 Hz to 1 kHz (-3dB) 2-pole Butterworth
Filters	'g' version: 10 Hz to 5 kHz (-3dB) 2-pole Butterworth
Input 2	100 mV/g constant current accelerometer

Mechanical

Case Material	Plastic
Mounting	DIN Rail TS35 (Top Hat)
Dimensions	120 x 75 x 23 mm (HxDxW) including BNC
Connections	Screw Clamp
Conductor Size	0.5 to 4.0 mm
Weight	80 gms (nom)

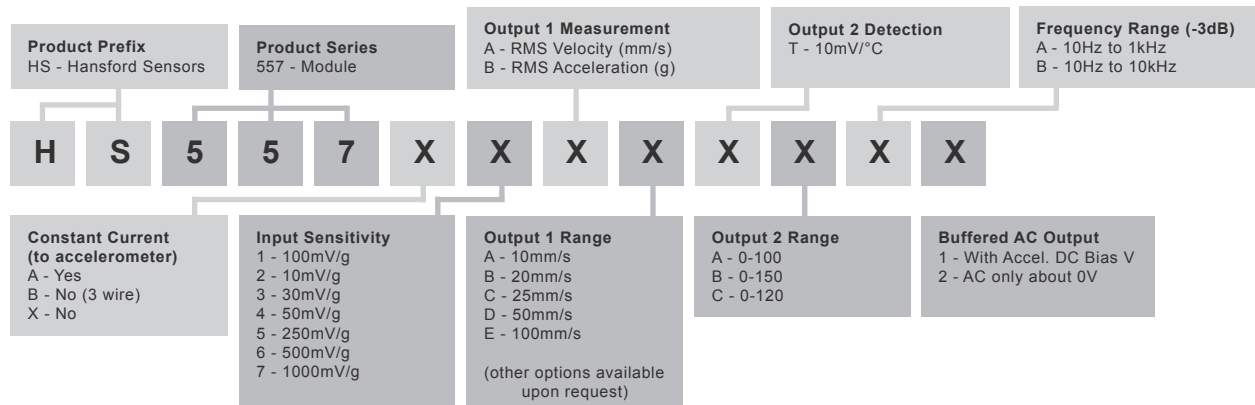
Electrical

Power Input	24 V DC @ 70 mA (from HS-570 Power Supply Module)
Output 1	Temperature 4-20 mA = 0-100 °C (others available) 'g' version: 4-20 mA = 0-5 g rms Max. load resistance = 500 Ohms
Output 2	Velocity version: 4-20 mA = 0-25 mm/s rms
Output 3	Buffered accel. Output with DC bias voltage (nom 12 VDC) AC only about 0 V on request

Environmental

Operating Temperature Range	0 to 55 °C
EMC	EN61326-1:2013
Installation Category (IEC664)	II
Equipment Class (IEC536)	III

How To Order



We reserve the right to alter the specification of this product without prior notice



Vertriebspartner für Deutschland



beta SENSORIK GmbH
 Hummendorfer Straße 74 · 96317 Kronach
 Telefon 09261 96607-0 · Fax 09261 96607-11
 briefkasten@betasensorik.de · www.betasensorik.de



TS104.5